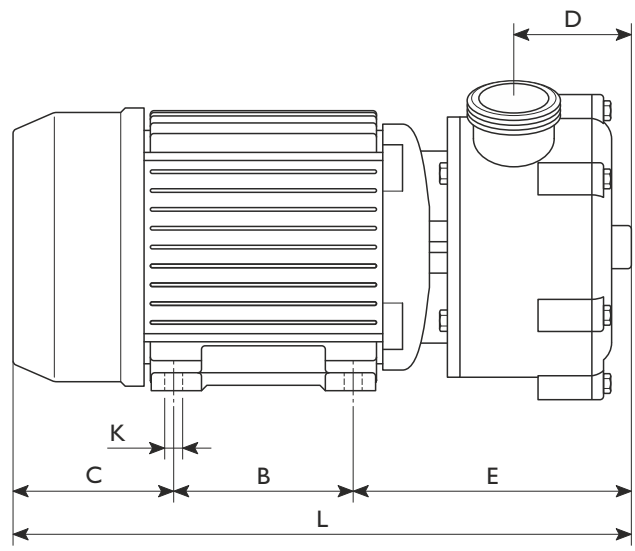
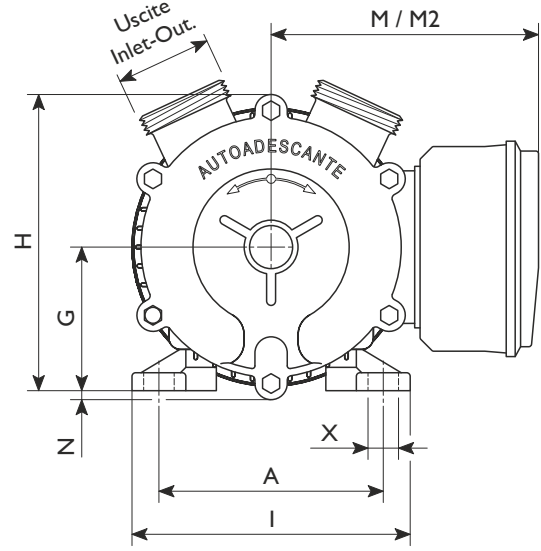
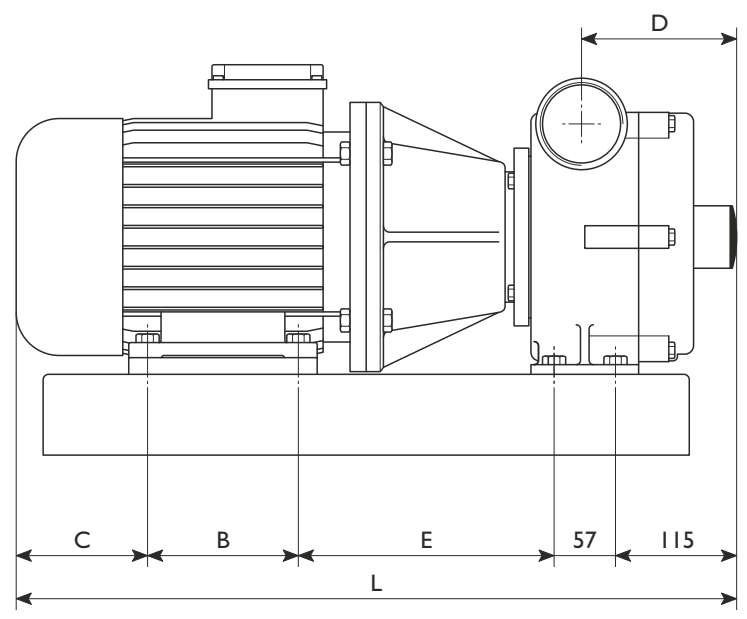
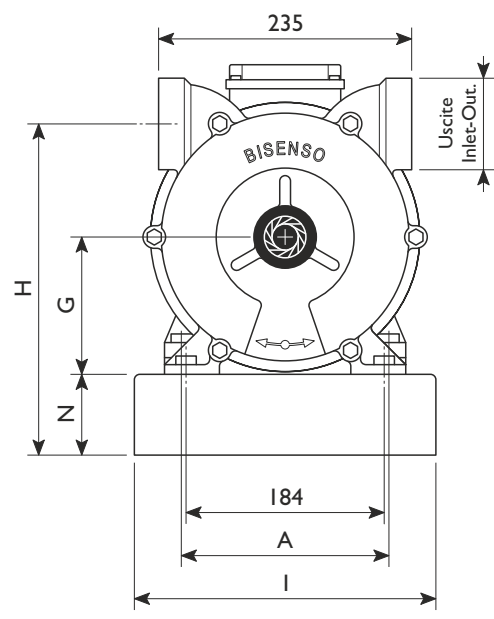


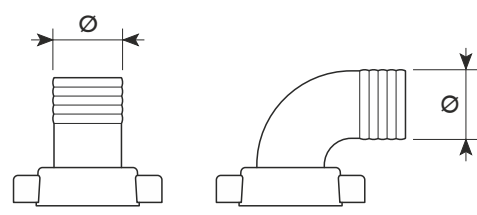
EPH 20-25
EP 20-25-30-40-50



EP 70



Raccordi
Pipe fittings



Tipo Type	Uscite Inlet-Outlet	Raccordi Pipe fittings	Motore Motor	Dimensioni (mm) / Dimensions (mm)													
				A	B	C	D	E	G	H	I	K	L	M*	M2*	N	X
EPH 20	BSP-M 3/4"	Ø20	MF	90	70	70	35	110	56	100	110	7	250	115	105	-	10
EPH 25	BSP-M 1"	Ø25	MF	112	90	78	40	127	71	124	136	7	295	-	105	-	12
EP 20	BSP-M 3/4"	Ø20	CC	100	80	100	35	115	63	106	120	7	295	-	105	-	12
			MF/TF	90	70	70	35	110	56	100	110	7	250	135	105	-	10
EP 25	BSP-M 1"	Ø25	CC	112	90	103	40	127	71	124	130	8	320	-	110	-	12
			MF/TF	112	90	88	40	127	71	124	136	8	305	145	110	-	12
EP 30	BSP-M 1" 1/4	Ø30 - Ø35	CC	125	100	135	50	140	80	165	160	8	375	-	125	5	16
			MF/TF	125	100	90	50	140	80	165	155	10	330	155	125	5	17.5
EP 40	BSP-M 1" 1/2	Ø40 - Ø45	CC	140	125	185	67	180	90	175	175	10	490	-	130	-	17.5
			MF/TF	125	100	90	67	162	80	165	155	10	352	155	125	5	17.5
EP 50	BSP-M 2"	Ø50	CC	140	125	137	90	180	90	194	175	10	442	-	-	14	17.5
			MF/TF	140	125	100	90	210	90	194	175	10	435	160	130	14	17.5
EP 70	BSP-F 2" 1/2	n.d.	TF 5.5 kW	190	140	148	144	245	128	306	280	11	705	-	-	75	18
			TF 7.5 kW	216	178	155	144	280	156	334	280	11	785	-	-	75	18

n.d. = Raccordi non disponibili / Pipe fittings not available

M* = interruttore/invertitore-portacondensatore / on-off reverse switch-capacitor box - M2* = morsettiera / terminal board connection